

svan

COMBI REFRIGERATOR

Freezer - Fridge

User manual

FRIGORÍFICO COMBI

Congelador - Frigorífico

Manual de Instrucciones

FRIGORÍFICO COM DUAS PORTAS

Congelador - Frigorífico

Manual de Instruções

SVF136

Index

BEFORE USING THE APPLIANCE	3
General warnings	3
Old and out-of-order fridges	5
Safety warnings	5
Installing and operating your fridge	6
Before using your fridge freezer	7
HOW TO OPERATE THE APPLIANCE	7
Thermostat setting	7
Warnings about temperature adjustments	7
Accessories	8
Ice tray	8
Plastic scraper	8
Bottle holder	8
FOOD STORAGE IN THE APPLIANCE	9
Refrigerator compartment	9
Freezer compartment	9
CLEANING AND MAINTENANCE	13
Defrosting	14
Replacing the Light bulb	15
TRANSPORTATION AND CHANGING OF INSTALLATION POSITION	15
Repositioning the door	15
BEFORE CALLING FOR AFTER SALES SERVICE	16
Tips for saving energy	17
PARTS OF THE APPLIANCE AND THE COMPARTMENTS	18

The operating instructions apply to several models. Differences may therefore occur.

PART - 1. BEFORE USING THE APPLIANCE

General warnings

WARNING: Keep ventilation openings, in the appliance enclosure or in the built-in structure, clear of obstruction.

WARNING: Do not use mechanical devices or other means to accelerate the defrosting process, other than those recommended by the manufacturer.

WARNING: Do not use electrical appliances inside the food storage compartments of the appliance, unless they are of the type recommended by the manufacturer.

WARNING: Do not damage the refrigerant circuit.

WARNING: In order to avoid any hazards resulting from the instability of the appliance, it must be fixed in accordance with the following instructions:

- If your appliance uses R600a as a refrigerant (this information will be provided on the label of the cooler) you should take care during transportation and installation to prevent the cooler elements from being damaged. R600a is an environmentally friendly and natural gas, but it is explosive. In the event of a leak due to damage of the cooler elements, move your fridge away from open flames or heat sources and ventilate the room where the appliance is located for a few minutes.
- While carrying and positioning the fridge, do not damage the cooler gas circuit.
- Do not store explosive substances such as aerosol cans with a flammable propellant in this appliance.
- This appliance is intended to be used in household and domestic applications such as:
 - staff kitchen areas in shops, offices and other working environments.

- farm houses and by clients in hotels, motels and other residential type environments.
- bed and breakfast type environments;
- catering and similar non-retail applications.
- If the socket does not match the refrigerator plug, it must be replaced by the manufacturer, a service agent or similarly qualified persons in order to avoid a hazard.
- A specially grounded plug has been connected to the power cable of your refrigerator. This plug should be used with a specially grounded socket of 16 amperes. If there is no such socket in your house, please have one installed by an authorised electrician.
- This appliance can be used by children aged from 8 years and above and persons with reduced physical, sensory or mental capabilities or lack of experience and knowledge if they have been given supervision or instruction concerning use of the appliance in a safe way and understand the hazards involved. Children shall not play with the appliance. Cleaning and user maintenance shall not be made by children without supervision.
- If the supply cord is damaged, it must be replaced by the manufacturer, an authorised service agent or similar qualified persons, in order to avoid a hazard.
- This appliance is not intended for use at altitudes exceeding 2000 m.

Old and out-of-order fridges

- If your old fridge has a lock, break or remove the lock before discarding it, because children may get trapped inside it and may cause an accident.
- Old fridges and freezers may contain isolation material and refrigerant with CFC or HFC.



Therefore, take care not to harm environment when you are discarding your old fridges.

Please ask your municipal authority about the disposal of the WEEE reuse, recycle and recovery purposes.

Notes:

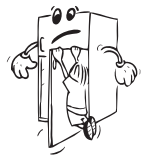
- Please read the instruction manual carefully before installing and using your appliance.
We are not responsible for the damage occurred due to misuse.
- Follow all instructions on your appliance and instruction manual, and keep this manual in a safe place to resolve the problems that may occur in the future.
- This appliance is produced to be used in homes and it can only be used in domestic environments and for the specified purposes. It is not suitable for commercial or common use. Such use will cause the guarantee of the appliance to be cancelled and our company will not be responsible for losses incurred.
- This appliance is produced to be used in houses and it is only suitable for cooling / storing food. It is not suitable for commercial or common use and/or for storing substances except for food. Our company is not responsible for losses to be incurred in the contrary case.

Safety warnings

- Do not connect your fridge freezer to the mains electricity supply using an extension lead.
- Do not plug in damaged, torn or old plugs.
- Do not pull, bend or damage the cord.



- This appliance is designed for use by adults, do not allow children to play with the appliance or let them hang off the door.
- Never touch the power cord/plug with wet hands as this could cause a short circuit or electric shock.
- Do not place glass bottles or beverage cans in the ice-making compartment as they can burst as the contents freeze.
- Do not place explosive or flammable material in your fridge. Place drinks with high alcohol content vertically in the fridge compartment and make sure that their tops are tightly closed.



- When removing ice from the ice-making compartment, do not touch it. Ice may cause frost burns and/or cuts.



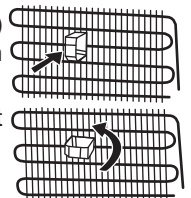
- Do not touch frozen goods with wet hands! Do not eat ice-cream and ice cubes immediately after you have taken them out of the freezer department!

- Do not touch frozen goods with wet hands. Do not eat ice-cream or ice cubes immediately after you have taken them out of the ice-making compartment.
- Do not cover the body or top of fridge with lace. This affects the performance of your fridge.
- Secure any accessories in the fridge during transportation to prevent damage to the accessories.

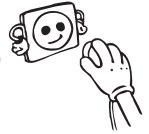
Installing and operating your fridge

Before starting to use your fridge freezer, you should pay attention to the following points:

- The operating voltage for your fridge is 220-240 V at 50Hz.
- The plug must be accessible after installation.
- Your fridge freezer may have a smell when it is operated for the first time. This is normal and the smell will fade away when your fridge freezer starts to cool.
- Before connecting your fridge freezer, ensure that the information on the data plate (voltage and connected load) matches that of the mains electricity supply. If in doubt, consult a qualified electrician.
- Insert the plug into a socket with an efficient ground connection. If the socket has no ground contact or the plug does not match, we recommend that you consult a qualified electrician for assistance.
- The appliance must be connected with a properly installed fused socket. Power supply (AC) and voltage at the operating point must match with the details on the name plate of the appliance (name plate is located on the inside left of the appliance).
- We do not accept responsibility for any damages that occur due to ungrounded usage.
- Place your fridge where it will not be exposed to direct sunlight.
- Your fridge should never be used outdoors or exposed to rain.
- Your appliance should be at least 50 cm away from stoves, gas ovens and heater cores, and at least 5 cm away from electrical ovens.
- When your fridge is placed next to a deep freezer, there should be at least 2 cm between them to prevent humidity forming on the outer surface.
- Do not place heavy items on the appliance.
- Clean the appliance thoroughly, especially the interior, before use (see Cleaning and Maintenance).
- The installation procedure into the kitchen unit is given in the installation manual. This product is intended to be used in proper kitchen units only.
- Before using your fridge freezer, wipe all parts with a solution of warm water and a teaspoon of sodium bicarbonate, then rinse with clean water and dry. Place all parts in the fridge after cleaning.
- Install the plastic distance guide (the part with black vanes at the rear) by turning it 90° (as shown in the figure) to prevent the condenser from touching the wall.
- The refrigerator should be placed against a wall with a free space not exceeding 75 mm.



Before using your fridge freezer

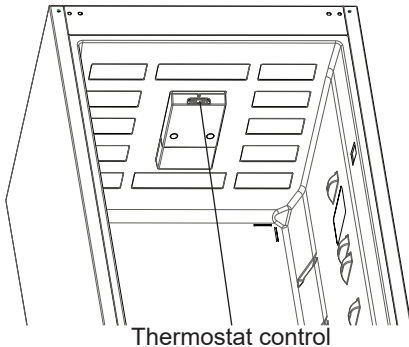


- When using your fridge freezer for the first time, or after transportation, keep it in an upright position for at least 3 hours before plugging into the mains. This allows efficient operation and prevents damage to the compressor.
- Your fridge freezer may have a smell when it is operated for the first time. This is normal and the smell will fade away when your fridge starts to cool.

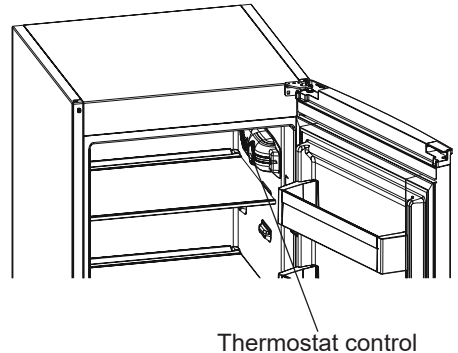
PART - 2. HOW TO OPERATE THE APPLIANCE

Thermostat setting

When lighting and thermostat are positioned on top



When lighting and thermostat are positioned on side



The fridge freezer thermostat automatically regulates the inside temperature of the compartments. By rotating the knob from position 1 to 5, colder temperatures can be obtained.

Important note: Do not try to rotate knob beyond 1 position it will stop your appliance.

- 1 – 2 :** For short-term storage of food in the freezer compartment, you can set the knob between the minimum and medium position.
- 3 – 4 :** For long-term storage of food in the freezer compartment, you can set the knob to the medium position.
- 5 :** For freezing fresh food. The appliance will work for longer. So, after the desired condition is reached, return the knob to the previous setting.

Warnings about temperature adjustments

- It is not recommended that you operate your fridge in environments colder than 10°C in terms of its efficiency.
- Temperature adjustments should be made according to the frequency of door openings and the quantity of food kept inside the fridge.
- Your fridge should be operated up to 24 hours according to the ambient temperature without interruption after being plugged in to be completely cooled. Do not open doors of your fridge frequently and do not place much food inside it in this period.
- A 5 minute delaying function is applied to prevent damage to the compressor of your

fridge, when you take the plug out and then plug it in again to operate it or when an energy breakdown occurs. Your fridge will start to operate normally after 5 minutes.

- Your fridge is designed to operate in the ambient temperature intervals stated in the standards, according to the climate class stated in the information label. We do not recommend operating your fridge out of stated temperatures value limits in terms of cooling effectiveness.

- This appliance is designed for use at an ambient temperature within the 16°C - 38°C range.

Climate class	Ambient temperature (°C)
T	Between 16 and 43 °C
ST	Between 16 and 38 °C
N	Between 16 and 32 °C
SN	Between 10 and 32 °C

Accessories

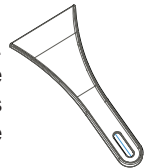
Ice tray

- Fill the ice tray with water and place in freezer compartment.
- After the water completely turned into ice, you can twist the tray as shown below to get the ice cube.



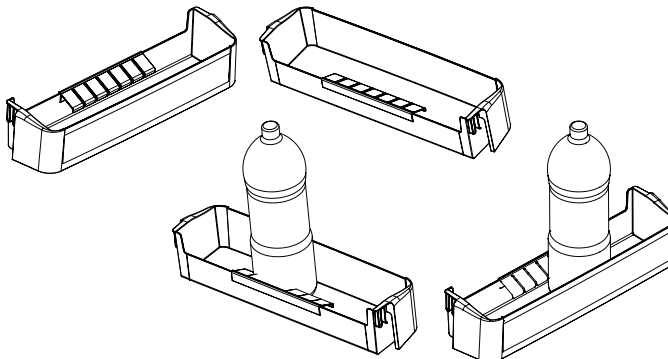
Plastic scraper

After a period of time frost will build up in certain areas in the freezer compartment. The frost accumulated in the freezer should be removed periodically. Use the plastic scraper provided if necessary. Do not use sharp metal objects for this operation. They could puncture the refrigerator circuit and cause irreparable damage to the unit.



Bottle holder (Only some models)

In order to prevent bottles from slipping or falling over, you can use the bottle holder. This will also help to prevent the noise made by bottles when opening or closing the door.



All written and visual descriptions in the accessories may vary according to the appliance model.

PART - 3. FOOD STORAGE IN THE APPLIANCE

Refrigerator compartment

The refrigerator compartment is used for storing fresh food for a few days.

- Do not place food in direct contact with the rear wall of the refrigerator compartment. Leave some space around food to allow circulation of air.
- Do not place hot food or evaporating liquid in the refrigerator.
- Always store food in closed containers or wrapped.
- To reduce humidity and avoid formation of frost, never place liquids in unsealed containers in the refrigerator.
- Meat of all types, wrapped in packages, is recommended to be placed on the glass shelf just above the vegetable bin, where the air is colder.
- You can put fruit and vegetables into the crisper without packaging.
- To avoid cold air escaping, try not to open the door too often, and not leave the door open for a long time.

Some recommendations have been specified below for the placement and storage of your food in the cooling compartment.

Food	Maximum Storing time	Where to place in the fridge department
Vegetables and fruits	1 week	Vegetable bin
Meat and fish	2 - 3 Days	Wrapped in plastic foil or bags or in a meat container (on the glass shelf)
Fresh cheese	3 - 4 Days	In special door shelf
Butter and margarine	1 week	In special door shelf
Bottled products milk and yoghurt	Until the expiry date recommended by the producer	In special door shelf
Eggs	1 month	In the egg shelf
Cooked food		All shelves

NOTE: Potatoes, onions and garlic should not be stored in the refrigerator.

Freezer compartment

The freezer compartment is used for freezing fresh food and for storing frozen food for the period of time indicated on packaging, and for making ice cubes.

- When freezing fresh food, wrap and seal the food properly; the packaging should be air tight and shouldn't leak. Special freezer bags, aluminum foil (heavy grade, if in doubt double wrap), polythene bags and plastic containers are ideal.
- To get maximum capacity for freezer compartment, please just use glass shelves for upper and middle section. For bottom section, please use lower basket.
- The maximum amount of fresh foods that can be loaded in the freezer within 24 hours is indicated on the name plate (see Freezing Capacity).

- For optimum appliance performance to reach maximum freezing capacity, set the refrigerator thermostat at 4 - 5 for 24 hours before placing fresh food into the freezer.
- After placing fresh food into the freezer, change the setting to 4 - 5 for 24 hours is generally sufficient. After 24 hours, you can reduce the setting if required.
- Do not allow the fresh food to be frozen to come into contact with the already frozen food.
- Always mark the date and the content on the pack and do not exceed the stated storage time.
- In case of a power failure or malfunction, the freezer compartment will maintain a sufficiently low temperature for food storage. However, avoid opening the freezer door to slow down the temperature rise within the freezer compartment.
- Never place warm food in the freezer compartment.
- When purchasing and storing frozen food products, ensure that the packaging is not damaged.
- The storage time and the recommended temperature for storing frozen food is indicated on the packaging. For storing and using, follow the manufacturer's instructions. If no information is provided, food should not be stored for more than 3 months.
- Place frozen food in the freezer compartment as soon as possible after buying it.
- Once the food has thawed, it must not be refrozen; you must cook it as quickly as possible in order to consume or to freeze once again.
- Not that; if you want to open again immediately after closing the freezer door, it will not be opened easily. It's quite normal! After reaching equilibrium condition, the door will be opened easily.

Important note:

- Frozen foods, when thawed, should be cooked just like fresh foods. If they are not cooked after being thawed they must NEVER be re-frozen.
- The taste of some spices found in cooked dishes (anise, basilica, watercress, vinegar, assorted spices, ginger, garlic, onion, mustard, thyme, marjoram, black pepper, etc.) changes and they assume a strong taste when they are stored for a long period. Therefore, the frozen food should be added little amount of spices or the desired spice should be added after the food has been thawed.
- The storage period of food is dependent on the oil used. The suitable oils are margarine, calf fat, olive oil and butter and the unsuitable oils are peanut oil and pig fat.
- The food in liquid form should be frozen in plastic cups and the other food should be frozen in plastic folios or bags.

Some recommendations have been specified on pages 10, 11 and 12 for the placement and storage of your food in the deep freeze compartment.

Meat and fish	Preparation	Maximum Storing time (month)
Steak	Wrapping in a foil	6 - 8
Lamb meat	Wrapping in a foil	6 - 8
Veal roast	Wrapping in a foil	6 - 8
Veal cubes	In small pieces	6 - 8
Lamb cubes	In pieces	4 - 8
Minced meat	In packages without using spices	1 - 3
Giblets (pieces)	In pieces	1 - 3
Bologna sausage/salami	Should be packaged even if it has membrane	
Chicken and turkey	Wrapping in a foil	4 - 6
Goose and Duck	Wrapping in a foil	4 - 6
Deer, Rabbit, Wild Boar	In 2.5 kg portions and as fillets	6 - 8
Freshwater fishes (Salmon, Carp, Crane, Siluroidea)	After cleaning the bowels and scales of the fish, wash and dry it; and if necessary, cut the tail and head.	2
Lean fish; bass, turbot, flounder		4
Fatty fishes (Tunny, Mackarel, bluefish, anchovy)		2 - 4
Shellfish	Cleaned and in bags	4 - 6
Caviar	In its package, aluminium or plastic container	2 - 3
Snail	In salty water, aluminum or plastic container	3

Note: *Frozen meat should be cooked as fresh meat after being thawed. If the meat is not cooked after being thawed, it should never be frozen again.*

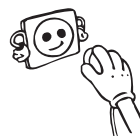
Vegetables and Fruits	Preparation	Maximum Storing time (months)
String beans and beans	Wash and cut to small pieces and boil in water	10 - 13
Beans	Hull and wash and boil in water	12
Cabbage	Cleaned and boil in water	6 - 8
Carrot	Clean and cut to slices and boil in water	12
Pepper	Cut the stem, cut into two pieces and remove the core and boil in water	8 - 10
Spinach	Washed and boil in water	6 - 9
Cauliflower	Take the leaves apart, cut the heart into pieces, and leave it in water with a little lemon juice for a while	10 - 12
Eggplant	Cut to pieces of 2cm after washing	10 - 12
Corn	Clean and pack with its stem or as sweet corn	12
Apple and pear	Peel and slice	8 - 10
Apricot and Peach	Cut into two pieces and remove the stone	4 - 6
Strawberry and Blackberry	Wash and hull	8 - 12
Cooked fruits	Adding 10 % of sugar in the container	12
Plum, cherry, sourberry	Wash and hull the stems	8 - 12

Dairy Products	Preparation	Maximum Storing time (months)	Storing Conditions
Packet (Homogenize) Milk	In its own packet	2 - 3	Pure Milk – In its own packet
Cheese-excluding white cheese	In slices	6 - 8	Original package may be used for short storing period. It should be wrapped in foil for longer periods.
Butter, margarine	In its package	6	

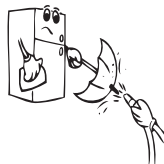
	Maximum Storing time (months)	Thawing time in room temperature (hours)	Thawing time in oven (minutes)
Bread	4 - 6	2 - 3	4-5 (220-225 °C)
Biscuits	3 - 6	1 - 1,5	5-8 (190-200 °C)
Pastry	1 - 3	2 - 3	5-10 (200-225 °C)
Pie	1 - 1,5	3 - 4	5-8 (190-200 °C)
Phyllo dough	2 - 3	1 - 1,5	5-8 (190-200 °C)
Pizza	2 - 3	2 - 4	15-20 (200 °C)

PART - 4. CLEANING AND MAINTENANCE

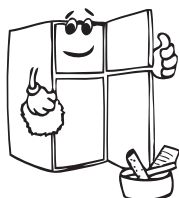
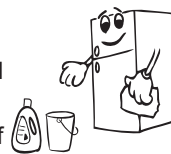
- Disconnect the unit from the power supply before cleaning.



- Do not clean the appliance by pouring water.



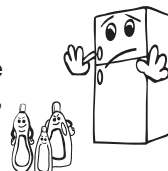
- Make sure that no water enters the lamp housing and other electrical components.
- The refrigerator should be cleaned periodically using a solution of bicarbonate of soda and lukewarm water.



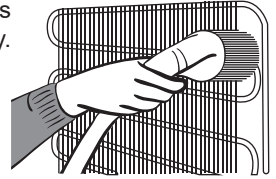
- Clean the accessories separately with soap and water. Do not clean them in the dishwasher.



- Do not use abrasive products, detergents or soaps. After washing, rinse with clean water and dry carefully. When you have finished cleaning, reconnect the plug to the mains supply with dry hands.



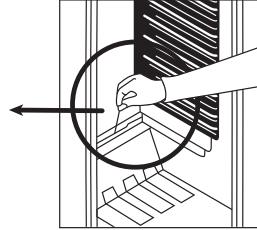
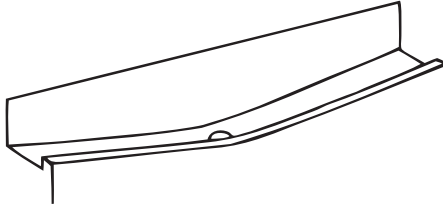
- Clean the condenser with a broom at least twice a year. This will help you to save on energy costs and increase productivity.



THE POWER SUPPLY MUST BE DISCONNECTED.

Defrosting

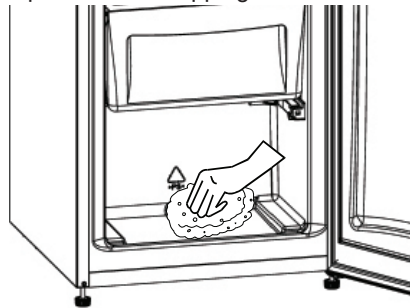
Defrosting the Refrigerator Compartment



- Defrosting occurs automatically in the refrigerator compartment during operation; the water is collected by the evaporation tray and evaporates automatically.
- The evaporation tray and the water drain hole should be cleaned periodically with the defrost drain plug to prevent the water from collecting at the bottom of the refrigerator instead of flowing out.
- You can also clean the drain hole by pouring $\frac{1}{2}$ glass of water down it.

Defrosting the Freezer Compartment

- The frost, which covers the shelves of the freezer compartment, should be removed periodically.
- Do not use sharp metal objects for this operation. They could puncture the refrigerant circuit and cause irreparable damage to the unit. Use the plastic scraper provided.
- When there is more than 5 mm of frost on the shelves, defrosting must be carried out.
- Before defrosting, place the frozen food in a cool place after wrapping it in sheets of newspaper (this will help the food to maintain its temperature for longer).
- To accelerate the defrosting process, place one or more bowls of warm water in the freezer compartment.
- Dry the inside of the compartment with a sponge or a clean cloth.
- Once the unit has been defrosted, place the food into freezer and remember to consume it in a short period of time.

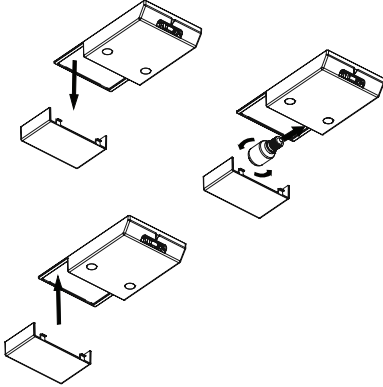


Replacing the Light bulb

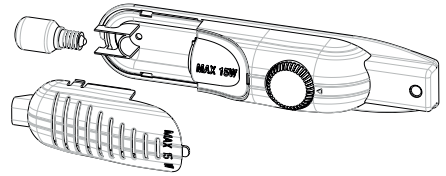
When replacing the bulb of the refrigerator compartment;

1. Unplug the unit from the power supply,
2. Press the hooks on the sides of the light cover top and remove the light cover
3. Change the present light bulb with a new one of not more than 15 W.
4. Replace the light cover and after waiting 5 minutes plug the unit.

When lighting and thermostat are positioned on top



When lighting and thermostat are positioned on side



Replacing LED lighting

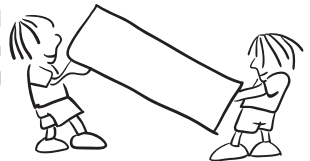
If your refrigerator has LED lighting contact the help desk as this should be changed by authorized personnel only.

PART - 5. TRANSPORTATION AND CHANGING OF INSTALLATION POSITION

Transportation and Changing of Installation Position

- The original packages and foamed polystyrene (PS) can be retained if required.
- During transportation, the appliance should be secured with a wide string or a strong rope. The instructions written on the corrugated box must be followed while transporting.
- Before transporting or changing the installation position, all the moving objects (ie,shelves,crisper...) should be taken out or fixed with bands in order to prevent them from getting damaged.

! Carry your fridge in the upright position.



Repositioning the door

- It is not possible to change the opening direction of your refrigerator door, if the door handles on your refrigerator are installed from the front surface of the door.
- It is possible to change the opening direction of the door on models without any handles.
- If the door opening direction of your refrigerator may be changed, you should contact the nearest authorised service agent to have the opening direction changed.

PART - 6. BEFORE CALLING FOR AFTER SALES SERVICE

If your refrigerator is not working properly, it may be a minor problem, therefore check the following.

The appliance does not operate,

Check if;

- There is no power,
- The general switch in your home is disconnected,
- The socket is not faulty. To check this, plug the appliance in to another socket which you know is working.

What to do if your appliance performs poorly

Check that:

- You have overloaded the appliance,
- The thermostat setting is on position “1” (if so set the thermostat dial to a suitable value).
- The doors are closed properly,
- There is no dust on the condenser,
- There is enough space at the rear and side walls.

If your fridge is operating too loudly

Normal Noises

Compressor noise

- Normal motor noise: This noise means that the compressor operates normally
- Compressor may cause more noise for a short time when it starts.

Bubbling noise and splash:

- This noise is caused by the flow of the refrigerant in the tubes of the system.
- If you hear any other noises check that:
 - The appliance is level
 - Nothing is touching the rear of the appliance
 - The objects on the appliance are vibrating.

If there is water in the lower part of the refrigerator;

Check if;

The drain hole for defrost water is not clogged (use defrost drain plug to clean the drain hole).

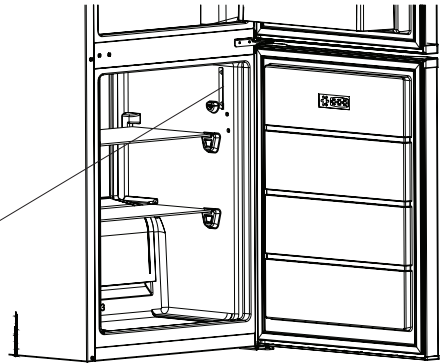
Important notes:

- In case of a sudden power loss or disconnecting and reconnecting of the plug to the electrical socket, the compressor protective thermal element will be opened as the pressure of the gas in the cooling system of your refrigerator has not yet been balanced. 4 or 5 minutes later, your refrigerator will start to operate; this is normal.
- If you won't be using your refrigerator for a long time (such as on summer holidays), please disconnect the plug from the socket. Clean your refrigerator as per Part 4 of this document and leave the door open to prevent any humidification or odor formation.
- If there is still a problem with your refrigerator although you have followed the instructions in this book, please consult your nearest authorized service center.

- The lifetime of your appliance is stated and declared by the Department of Industry. The length of time for retaining parts required for the proper operation of the appliance is 10 years.

Tips for saving energy

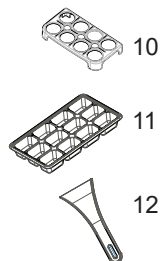
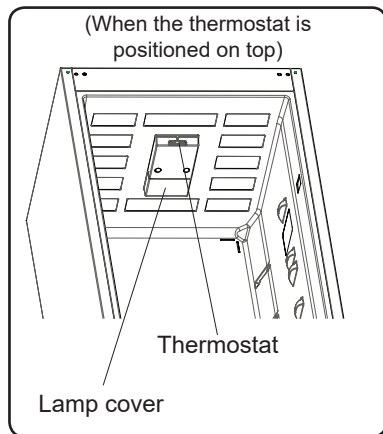
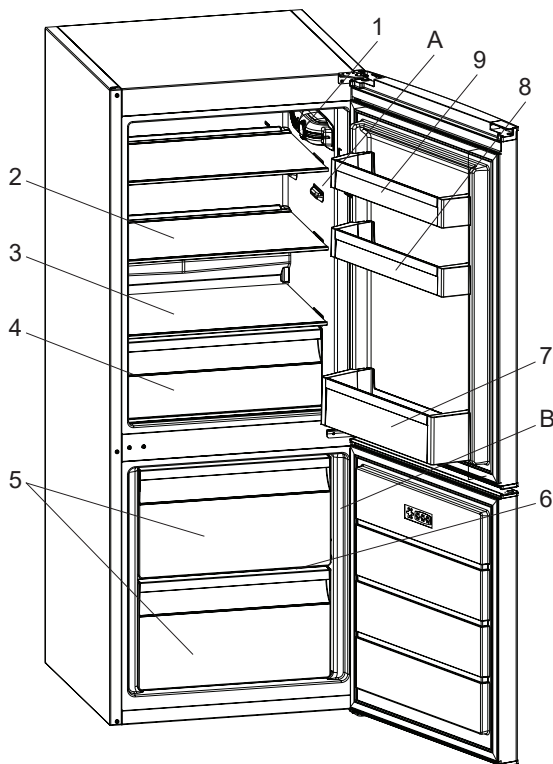
1. Install the appliance in a cool, well ventilated room , but not in direct sunlight and not near a heat source (radiator, cooker.. etc). Otherwise use an insulating plate.
2. Allow warm food and drinks to cool down outside the appliance.
3. When thawing frozen food, place it in the refrigerator compartment. The low temperature of the frozen food will help to cool the refrigerator compartment when it is thawing. This will help to save energy. If the frozen food is put out, it results in a waste of energy.
4. Cover drinks or other liquids when placing them in the appliance Otherwise humidity increases in the appliance. Therefore, the working time gets longer. Also covering drinks and other liquids helps to preserve smell and taste.
5. Try to avoid keeping the doors open for long periods or opening the doors too frequently as warm air will enter the cabinet and cause the compressor to switch on unnecessarily often.
6. Keep the covers of the different temperature compartments (crisper, chiller ...etc) closed
7. Door gasket must be clean and pliable. Replace gaskets if worn.
8. Energy consumption of your appliance is declared without drawers and fully loaded in freezer compartment.
9. For saving energy, do not use volume between the load limit and the door, along the load limit line. Load limit line is also used in energy consumption declaration.



Load limit line label

PART - 8.

PARTS OF THE APPLIANCE AND THE COMPARTMENTS



This presentation is only for information about the parts of the appliance.
Parts may vary according to the appliance model.

A) Fridge compartment

B) Freezer compartment

1) Thermostat box (When the thermostat is positioned on side)

2) Fridge compartment shelves

3) Crisper cover

4) Crisper

5) Freezer drawers

6) Freezer glass shelves *

7) Bottle shelf

8) Adjustable door shelf *

9) Door shelves

10) Egg holder

11) Ice box tray

12) Ice scraper*

Indice

ANTES DE USAR EL APARATO.....	20
Advertencias generales	20
Frigoríficos viejos y averiados	22
Advertencias de seguridad	22
Instalación y Puesta en Marcha del Frigorífico.....	23
Antes de Utilizar el Frigorífico.....	24
LAS DISTINTAS FUNCIONES Y POSIBILIDADES	24
Ajuste Del Termostato.....	24
Advertencias sobre el Ajuste de la Temperatura	25
Accesorios	25
Recipiente para hielo	25
Espátula de plástico	25
Botellero	26
COLOCACIÓN DE LA COMIDA.....	26
Compartimento do frigorífico	26
Compartimento do congelador	27
LIMPIEZA Y MANTENIMIENTO	31
Eliminación de la escarcha.....	32
Cómo reemplazar la bombilla.....	33
TRANSPORTE Y CAMBIO DE LA POSICIÓN DE INSTALACIÓN	33
Como cambiar la posición de la Puerta.....	34
ANTES DE LLAMAR A SU SERVICIO POSTVENTA.....	34
Consejos Para Ahorrar Energía.....	35
LOS COMPONENTES DEL APARATO Y COMPARTIMENTOS	36

- Estas instrucciones corresponden a muchos modelos. Podría existir alguna diferencia.

Advertencias generales

ADVERTENCIA: Procure que no haya ninguna obstrucción en las rejillas de ventilación del propio aparato, ni en las de la estructura donde lo instale.

ADVERTENCIA: No utilice ningún dispositivo mecánico, ni ningún otro aparato, para acelerar el proceso de descongelación, salvo los recomendados por el fabricante.

ADVERTENCIA: No utilice ningún aparato eléctrico dentro de los compartimentos de comida del frigorífico, a menos que sean los específicamente recomendados por el fabricante.

ADVERTENCIA: No dañe el circuito refrigerador.

ADVERTENCIA: Para evitar cualquier riesgo derivado de la inestabilidad del aparato, deberá instalarse de acuerdo a las instrucciones.

- Lea la placa informativa del interior del aparato: verá si el modelo contiene refrigerante isobutano R600. De ser así, deberá tener cuidado durante el transporte y montaje para evitar daños en las piezas refrigerantes del aparato. Es un gas explosivo, aunque respetuoso con el medio ambiente. En caso de fugas por daños en el circuito refrigerante, aleje el frigorífico de las llamas y fuentes de calor, ventilando la habitación durante unos minutos.
- Trate de no dañar el circuito de gas refrigerante mientras transporte y coloque el frigorífico.
- No guarde dentro del aparato ninguna sustancia explosiva, como aerosoles que contengan propelentes inflamables.
-

- Si la toma de corriente no es del tipo adecuado para el ^} &@ -^ del cable de corriente, debe acudir al fabricante, distribuidor, servicio técnico o similares personas capacitadas, para poder reemplazarla y evitar así cualquier peligro.
- Este aparato no es apto para el uso por parte de personas (incluyendo niños) con discapacidades físicas, sensoriales o mentales; o bien que carezcan de la suficiente experiencia y conocimiento, a menos que sean supervisados o se les haya instruido en el uso del aparato por parte de personas responsables, por su seguridad. Debe vigilarse a los niños a fin de asegurarse de que no jueguen con el aparato.
- El cable de corriente del frigorífico tiene conectado un enchufe equipado especialmente con toma a tierra. Debe conectarse a un enchufe de pared que cuente con toma a tierra y que tenga un fusible de un mínimo de 16 amperios. Acuda a un electricista autorizado para que le instale una toma adecuada en caso de no tenerla.
- Este aparato pueden utilizarlo niños mayores de 8 años, y personas con discapacidades físicas, sensoriales o mentales; o bien que carezcan de la suficiente experiencia y conocimiento, siempre y cuando sean supervisados o se les instruya en el uso del aparato por parte de personas responsables, por su seguridad. Los niños no deben jugar con el aparato. Los niños no deberán limpiar el aparato, ni realizar ninguna tarea de mantenimiento sin supervisión.
- Si el cable de alimentación está dañado, debe acudir al fabricante, distribuidor, servicio técnico o similares personas capacitadas, para poder reemplazarlo y evitar así cualquier peligro.
- Este aparato no está previsto para usarse a altitudes superiores a los 2000 m.

Frigoríficos viejos y averiados

- Si el aparato va a sustituir a otro frigorífico viejo que disponga de cerradura o mecanismo de cierre, inutilice o desmonte dicha cerradura antes de guardarlo o desecharlo; así se evitará que los niños puedan quedar atrapados en su interior mientras juegan.
- Los viejos aparatos frigoríficos pueden contener material aislante y refrigerante que contenga CFC. Por tanto, preste la debida atención para no perjudicar al medio ambiente cuando deseche su frigorífico viejo.



Por favor, contacte con la autoridad municipal correspondiente para informarse sobre el desecho de los RAEE para su reutilización, reciclaje, y su recuperación.

Notas:

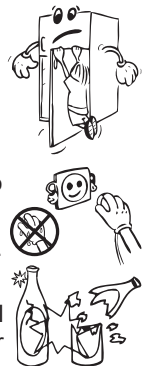
- Por favor, lea atentamente el manual de instrucciones antes de la instalación y la puesta en marcha del aparato. La empresa no se responsabiliza de ningún daño producido por un uso incorrecto del aparato.
- Siga todas las instrucciones del aparato y del manual de instrucciones; guarde este manual en un lugar seguro para resolver los problemas que puedan ocurrir en el futuro.
- Este aparato se ha fabricado para ser destinado al uso doméstico; por tanto, sólo puede utilizarse en casa y únicamente para los fines previstos. No es adecuado para un uso comercial o común. Tales usos supondrán la anulación de la garantía que ampara al aparato, y en tal caso la empresa no será responsable de ninguna pérdida derivada de los mismos.
- Este aparato está destinado al uso doméstico, siendo válido únicamente para guardar y refrigerar comida. No es adecuado para un uso comercial o común, ni para guardar sustancias que no sean alimentos. En caso contrario, la empresa no será responsable de ninguna pérdida derivada de tal uso.

Advertencias de seguridad

- No utilice cables alargadores ni enchufes múltiples.
- No conecte cables con enchufes dañados, rotos o viejos.
- No tire nunca del cable; no lo tuerza ni lo dañe.



- Este aparato está diseñado para su uso por parte de personas adultas; no permita que los niños jueguen con él, ni que se cuelguen de la puerta.
- Para evitar el riesgo de electrocución, no enchufe ni desenchufe el aparato con las manos mojadas.
- No coloque nunca dentro del congelador ninguna botella de vidrio ni latas. Las botellas y latas podrían explotar.
- Por su seguridad, no ponga nunca dentro del frigorífico ningún material inflamable ni explosivo. Coloque las bebidas alcohólicas de mayor graduación en posición vertical, con los tapones bien cerrados.



- Evitar cualquier contacto manual con el hielo: puede causar quemaduras y / o cortes.
- No toque los congelados con las manos mojadas. No coma helados ni cubitos de hielo directamente sacados del congelador.
- Una vez que los alimentos estén descongelados, no los vuelva a congelar. Podría causar problemas tales como intoxicación por alimentos.
- No cubra el frigorífico ni su parte superior con nada. Afectaría al funcionamiento del frigorífico.
- Con el fin de evitar cualquier daño a los accesorios del frigorífico, sujételos firmemente durante el transporte.



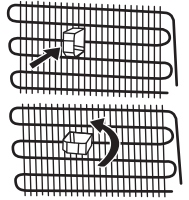
Instalación y Puesta en Marcha del Frigorífico

Preste atención a lo siguiente antes de usar el frigorífico:

- El frigorífico funciona con una corriente de entre 220V y 240V a 50Hz.
- El enchufe debe estar accesibles tras la instalación.
- La primera vez que ponga en marcha el aparato, éste puede desprender algún olor. El olor desaparecerá cuando el aparato empiece a enfriar.
- Antes de enchufar el aparato a la toma de corriente, asegúrese de que el voltaje de la placa del aparato se corresponde con el voltaje de la instalación eléctrica de su hogar.
- Introduzca el enchufe en la toma de corriente con una correcta conexión a tierra. Si la toma de corriente no dispone de contacto a tierra o no se adapta al enchufe, le recomendamos que se ponga en contacto con un electricista autorizado.
- Deberá enchufar el aparato con una clavija con fusible adecuada. La tensión de corriente y la alimentación debe coincidir con los requisitos indicados en la placa identificativa del aparato, en la parte izquierda de su interior.
- Coloque el frigorífico en lugares donde éste no quede expuesto a la luz solar directa.
- No debe utilizarlo nunca al aire libre, ni exponerlo a la lluvia.
- El aparato debe mantenerse a una distancia mínima de 50cm. de cocinas, hornos y calentadores; en cuanto a los hornos eléctricos, la distancia mínima debe ser de 5cm.
- Cuando coloque el frigorífico junto a un congelador, y con el fin de evitar la condensación de humedad en la superficie exterior, deberá dejar una separación de al menos 2cm. entre ambos aparatos.
- No coloque nada pesado sobre el aparato.
- Limpie a fondo el aparato, y especialmente el interior, antes de su uso (Lea el apartado Limpieza y Mantenimiento).
- En el manual de instalación podrá encontrar toda la información relativa a la colocación dentro de muebles de cocina. Este aparato está únicamente destinado al uso empotrado en muebles de cocina.
- Limpie todas las partes del frigorífico, antes de utilizarlo, con una solución de agua templada y una cucharilla de bicarbonato; a continuación, aclárelo con agua limpia y séquelo. Coloque de nuevo todas las piezas cuando haya terminado con la limpieza.

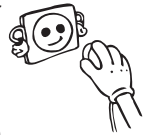


- Con el fin de evitar cualquier condensación derivada de que el frigorífico toque la pared, coloque los separadores plásticos girándolos 90° y con las paletas negras en la parte trasera.
- El frigorífico debe colocarse contra una pared, a una distancia de separación máxima de 75 mm.



Antes de Utilizar el Frigorífico

- Con el fin de garantizar un funcionamiento correcto, y antes de utilizar el frigorífico por primera vez (o de utilizarlo tras haberlo transportado), colóquelo en posición vertical y espere 3 horas antes de enchufarlo a la corriente. De lo contrario, podría causar daños en el compresor.
- En el momento de poner el frigorífico en marcha por primera vez, puede emitir cierto olor; este olor se disipará en cuanto el frigorífico empiece a enfriarse.

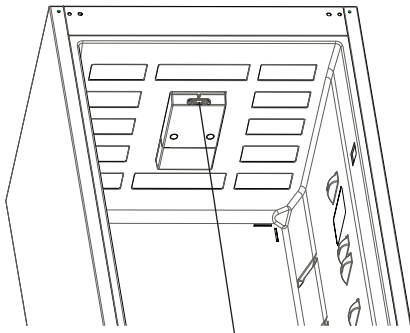


PARTE - 2. LAS DISTINTAS FUNCIONES Y POSIBILIDADES

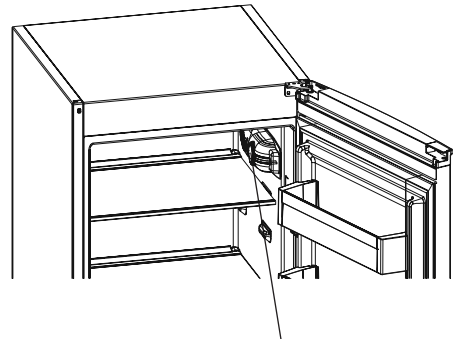
Ajuste Del Termostato

Cuando la iluminación y el termostato están situados en la parte posterior

Cuando la iluminación y el termostato están situados en la parte lateral



Termostato
(En algunos modelos)



Termostato
(En algunos modelos)

El termostato regula automáticamente la temperatura interna del compartimento frigorífico y del compartimento congelador. Para obtener temperaturas más frías deberemos girar el mando del termostato desde la posición 1 a la posición 5.

Aviso Importante: No intente girar el mando más allá de la posición 1; de lo contrario, el aparato se apagará.

Ajuste del Termostato del frigorífico y del Congelador;

- 1 – 2 : Si guarda alimentos en el compartimento congelador durante un periodo corto de tiempo, fije el regulador en posición mínima a media.
- 3 – 4 : Si guarda alimentos en el compartimento congelador durante un periodo prolongado de tiempo, fije el regulador en posición media.
- 5 : Para congelar alimentos frescos. El aparato estará en marcha durante un período prolongado de tiempo. Cuando haya conseguido la temperatura deseada, deberá volver a situar el regulador en su posición anterior.

Advertencias sobre el Ajuste de la Temperatura

- La temperatura interior del frigorífico se ve afectada por la propia temperatura ambiente, por la temperatura de los alimentos que introduzca, y también por la frecuencia de apertura de la puerta. Ajuste la temperatura del termostato si fuera necesario.
- En términos de eficiencia, no es recomendable que el frigorífico funcione en entornos donde la temperatura ambiente sea menor de 10°C.
- Al ajustar el termostato, deberá tener en cuenta la frecuencia de apertura de las puertas del frigorífico y del congelador, de la cantidad de alimentos que guarde en el frigorífico, así como de las condiciones ambientales del lugar donde coloque el aparato.
- Tras enchufar el frigorífico, y para que éste esté totalmente refrigerado, deberá estar en funcionamiento hasta 24 horas según cual sea la temperatura ambiente. Durante este tiempo, no abra la puerta con frecuencia ni coloque mucha cantidad de alimentos dentro del frigorífico.
- Si apaga o desenchufa el frigorífico, o si hubiera un corte de luz, deberá esperar un mínimo de 5 minutos antes de volver a encenderlo o enchufarlo para que no se averíe el compresor. No se debe preocupar, ya que el frigorífico empezará a funcionar solo tras cinco minutos.
- El frigorífico está diseñado para funcionar en los intervalos de temperatura ambiente indicados en los estándares, en función del tipo de clima especificado en la etiqueta de información. En lo que respecta a la eficacia de enfriamiento, no le recomendamos que haga funcionar el frigorífico fuera de los rangos de temperatura estipulados.
- Este equipo está diseñado para su uso a una temperatura ambiente dentro del rango 16°C - 38°C.

Clase Climática	Temperatura Ambiente (°C)
T	Entre 16 y 43 °C
ST	Entre 16 y 38 °C
N	Entre 16 y 32 °C
SN	Entre 10 y 32 °C

Accesorios

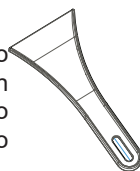
Recipiente para hielo

- Rellene el recipiente para hielo con agua y colóquelo en el compartimento congelador.
- Cuando el agua se haya transformado en hielo completamente, puede retorcer la bandeja tal como se indica más abajo, para extraer los cubitos de hielo.



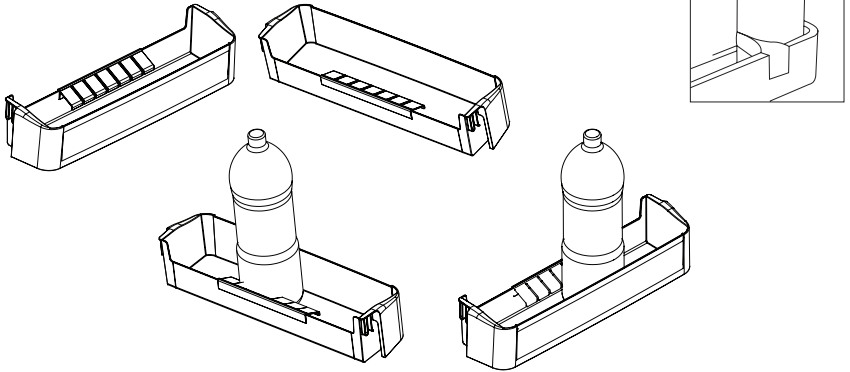
Espátula de plástico

En algunas partes del congelador se acumulará escarcha transcurrido cierto tiempo. Deberá sacar periódicamente el hielo o escarcha que se acumule en el congelador. Utilice la espátula de plástico incluida si fuera necesario. No utilice objetos punzantes para retirar la escarcha: podría perforarse el circuito refrigerador, causando así daños irreparables en el aparato.



Botellero (En algunos modelos)

Con el fin de evitar que las botellas se resbalen o caigan, usted puede utilizar el soporte para botellas. También puede evitar hacer el ruido que se hace al abrir o cerrar la puerta.



Las descripciones visuales y textuales de los accesorios podrá variar en función del modelo.

PARTE - 3. COLOCACIÓN DE LA COMIDA

Compartimento Frigorífico

- Para reducir la humedad y el consiguiente aumento de escarcha, nunca introduzca líquidos en recipientes sin tapar en el frigorífico. La escarcha tiene la tendencia a concentrarse en las zonas más frías del evaporador y en poco tiempo necesitará descongelar el aparato con mayor frecuencia.
- Nunca introduzca alimentos calientes en el interior. Los alimentos calientes deben introducirse a temperatura ambiente y colocarse de tal manera que se garantice la circulación del aire en el compartimento frigorífico.
- No coloque los alimentos pegados a la pared trasera del frigorífico, pues se puede producir una escarcha a la que se peguen éstos. No abra la puerta de la nevera muy a menudo.
- Disponga la carne y el pescado limpio (envasado en bandejas o paquetes de plástico) que vaya a utilizar en uno o dos días.
- Puede introducir las frutas y las verduras sin empaquetar en el cajá de verduras.

A continuación podrá encontrar algunas sugerencias sobre la colocación y almacenaje de alimentos en el frigorífico.

Tipo de Alimento	Tiempo máximo de conservación	Lugar de colocación En el frigorífico
Frutas y verduras	1 semana	Cajón de verduras
Carnes y pescados	2 a 3 días	Empaquetar en film o bolsas de plástico (en el estante de vidrio)
Queso fresco	3 a 4 días	En el estante especial de la puerta
Mantequilla y margarina	1 semana	En el estante especial de la puerta
Embotellados Leche y yogur	Hasta la fecha de caducidad indicada por el fabricante	En el estante especial de la puerta
Huevos	1 mes	En la huevera
Alimentos cocinados		Todos los estantes

Compartimento do congelador

- El congelador sirve para guardar alimentos congelados o ultracongelados durante un período prolongado de tiempo y para hacer cubitos.
- No coloque alimentos frescos y calientes que quiera congelar en los estantes de la puerta del congelador. Utilícelo para guardar alimentos ya congelados.
- No guarde alimentos frescos o calientes junto con los ya congelados ya que podrán descongelarse.
- Para congelar alimentos frescos (como por ejemplo carne, pescado o carne picada), divídalos en porciones que vaya a utilizar de una vez.
- Para guardar alimentos congelados: siga las instrucciones que se incluyen en los paquetes de los alimentos y si no hay ninguna información, no los guarde en el congelador por un período superior a los tres meses a partir de la fecha de compra del producto.
- Cuando compre congelados, asegúrese de que se hayan congelado a la temperatura adecuada y que el paquete esté en perfecto estado.
- Los alimentos congelados deberán transportarse en recipientes adecuados para mantener la calidad de los alimentos y deben introducirse a la superficie congeladora de la unidad en el menor transcurso de tiempo.
- Si el paquete de alimentos congelados presenta signos de humedad o hinchazá, es posible que se haya guardado anteriormente a una temperatura inadecuada; por tanto, el contenido puede estar en malas condiciones.
- El tiempo de almacenaje de los congelados dependerá de la temperatura de la habitación, del valor del termostato, de la frecuencia de apertura de la puerta, del tipo de alimento y del tiempo necesario para transportar el producto desde la tienda hasta su hogar. Siga siempre las instrucciones impresas en los paquetes y nunca supere el tiempo mínimo de almacenamiento indicado.

- Utilice el compartimento de congelación rápida para congelar alimentos cocinados (y los alimentos que quiera congelar) de la manera más rápida posible gracias a la alta capacidad de congelación de este compartimento. Los cajones centrales del congelador son los destinados a la congelación rápida

Nota importante:

- Cuando se descongelan, los alimentos congelados deben cocinarse como alimentos frescos. Si no se cocinan después de descongelarse, NUNCA deben volver a congelarse.
- El sabor de algunas especias utilizadas en platos cocinados (anís, albahaca, berro de agua, vinagre, especias surtidas, jengibre, ajo, cebolla, mostaza, tomillo, mejorana, pimienta negra, etc.) varía y los alimentos generan un sabor fuerte cuando se conservan durante un largo periodo. Por lo tanto, solo debe añadir una pequeña cantidad de especias o añadir la especia en cuestión una vez descongelado el alimento.
- El periodo de conservación de los alimentos depende del aceite utilizado. Los aceites adecuados son la margarina, la manteca de ternera, el aceite de oliva y la mantequilla; los aceites no adecuados son el aceite de cacahuete y la manteca de cerdo.
- Los alimentos líquidos deben congelarse en recipientes de plástico y el resto de alimentos en film o bolsas de plástico.

A continuación, en las páginas 10, 11 y 12, podrá encontrar algunas sugerencias sobre la colocación y almacenaje de alimentos en el congelador.

Productos Lácteos	Preparación	Tiempo máximo de conservación (meses)	Condiciones de almacenaje
Leche envasada (homogeneizada)	En su propio envase	2 - 3	Leche pura, en su propio envase
Queso, excepto el blanco	En lonchas	6 - 8	Se puede dejar en su envase original para almacenar por un corto tiempo. Para un tiempo mayor, envolver en film plástico.
Mantequilla, margarina	En su envase	6	

Carnes y pescados	Preparación	Tiempo máximo de conservación (meses)
Filetes	Envolver en film plástico	6 - 8
Carne de cordero	Envolver en film plástico	6 - 8
Ternera asada	Envolver en film plástico	6 - 8
Dados de vacuno	En pequeñas porciones	6 - 8
Dados de cordero	En porciones	4 - 8
Carne picada	En paquetes, y sin especiar	1 - 3
Menudillos (piezas)	En porciones	1 - 3
Salchicha boloñesa o Salami	Debe envolverse aunque tenga piel	
Pollo y pavo	Envolver en film plástico	4 - 6
Pato y oca	Envolver en film plástico	4 - 6
Venado, conejo, jabalí	En porciones de 2,5 kg y en filetes	6 - 8
Pescado de agua dulce (salmón, carpa, crane, siluro)	Después de limpiar los intestinos y escamas de los peces, lavar y secar; si es necesario, cortar la cola y la cabeza.	2
Magra, pescado, bajo, rodaballo, lenguado		4
Pescados grasos (atún, macarela, pescado azul, la anchoa)		2 - 4
Mariscos	Limpio y en bolsas	4 - 6
Caviar	En su propio recipiente o en recipientes de aluminio o plástico	2 - 3
Caracoles	En salmuera, en recipientes de aluminio o plástico	3

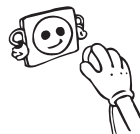
Nota: Deberá cocinar la carne congelada, después de descongelarla, igual que si fuera carne fresca. Nunca deberá volverla a congelar sin haberla cocinado antes después de haberla descongelado.

Frutas y verduras	Preparación	Tiempo máximo de conservación (meses)
Judías secas y judías verdes	Lavar y cortar en pequeñas piezas; hervir en agua	10 - 13
Judías	Pelar, lavar y hervir en agua	12
Col	Limpia y hervir en agua	6 - 8
Zanahorias	Lavar y cortar en pequeñas piezas; hervir en agua	12
Pimientos	Cortar el tallo, partir en dos y sacar el centro y las semillas; hervir en agua	8 - 10
Espinacas	Limpia y hervir en agua	6 - 9
Coliflor	Separar las hojas, cortar el corazón en piezas, y dejarlo en agua con zumo de limón por un tiempo	10 - 12
Berenjenas	Lavar y cortar en dados de 2cm	10 - 12
Maíz	Lavar y empaquetar en mazorca o desgranado	12
Manzanas y peras	Pelar y cortar	8 - 10
Melocotones y albaricoques	Partir en dos mitades y sacar el hueso	4 - 6
Fresas y moras	Lavar y quitar rabillos	8 - 12
Fruta cocida	Añadir 10% de azúcar en el envase	12
Ciruelas, cerezas, grosellas	Lavar y quitar rabillos	8 - 12

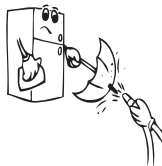
	Tiempo máximo de conservación (meses)	Tiempo de descongelación a temperatura ambiente (horas)	Tiempo de descongelación en el horno (minutos)
Pan	4 - 6	2 - 3	4-5 (220-225 °C)
Tostadas	3 - 6	1 - 1,5	5-8 (190-200 °C)
Pastas	1 - 3	2 - 3	5-10 (200-225 °C)
Tartas	1 - 1,5	3 - 4	5-8 (190-200 °C)
Pasta filo	2 - 3	1 - 1,5	5-8 (190-200 °C)
Pizza	2 - 3	2 - 4	15-20 (200 °C)

PARTE - 4. LIMPIEZA Y MANTENIMIENTO

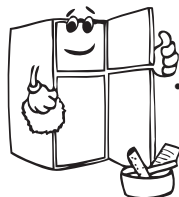
- Desenchufe el aparato de la toma de corriente antes de comenzar a limpiarlo.



- No limpie el frigorífico echándole agua a chorro encima.



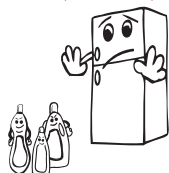
- Se recomienda limpiar el compartimento frigorífico periódicamente con una solución de bicarbonato sódico y agua tibia.



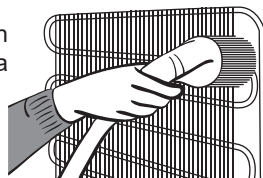
- Limpie los accesorios por separado con agua y jabón. No meta los accesorios en el lavavajillas.



- No utilice productos, detergentes o jabones abrasivos. Cuando haya terminado de limpiar el aparato, aclárelo con agua limpia y séquelo cuidadosamente. Cuando haya terminado el proceso de limpieza vuelva a conectar el enchufe del frigorífico, con las manos bien secas.



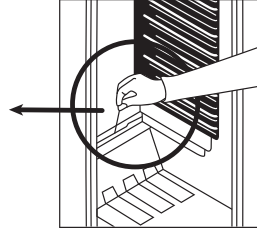
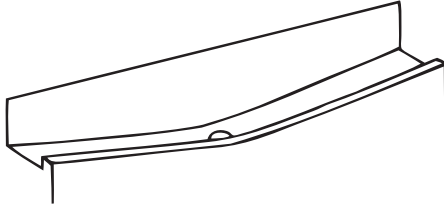
- Se recomienda realizar la limpieza del condensador con un cepillo al menos dos veces al año con el fin de ahorrar energía y de incrementar la productividad.



LA CORRIENTE DEBE ESTAR DESCONECTADA.

Eliminación de la escarcha

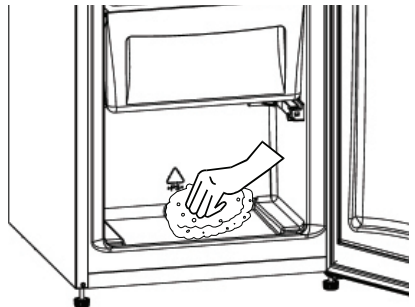
Compartimento frigorífico;



- Mientras el frigorífico está en funcionamiento el proceso de eliminación de la escarcha se produce automáticamente; el agua resultante de la descongelación se recoge en la cubeta y se evapora automáticamente.
- Se recomienda limpiar periódicamente la cubeta recogeaguas así como el agujero que funciona como sumidero del agua descongelada con el instrumento destinado a tal efecto, para prevenir así que el agua se almacene en la parte inferior del frigorífico en lugar de ser expulsada.
- Puede además verter medio vaso de agua en el sumidero para limpiar su interior.

Compartimento congelador;

- Deberá eliminar la escarcha con regularidad, para evitar que se acumule y cubra los estantes del congelador.
- No utilice objetos punzantes para retirar la escarcha: Podrían perforar el circuito refrigerador, causando así daños irreparables en el aparato. Utilice el rascador de plástico suministrado.
- Deberá descongelarlo cuando haya más de 5 mm de escarcha en los estantes.
- Coloque los congelados en un lugar fresco, antes de la descongelación, tras envolverlos en hojas de periódico para mantener su temperatura constante durante mucho tiempo.
- Para acelerar la descongelación puede introducir uno o más recipientes con agua caliente en el interior del compartimento del congelador.
- Seque el interior del compartimiento con una esponja o un paño limpio.
- Cuando el aparato se haya descongelado, vuelva a introducir los alimentos en el interior del congelador y acuérdesese de consumirlos lo antes posible.

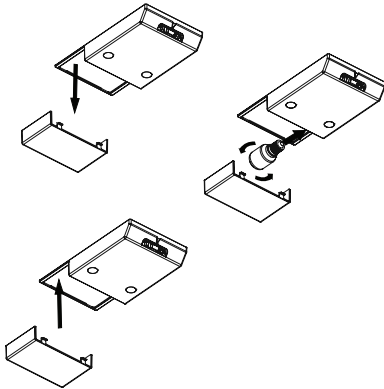


Cómo reemplazar la bombilla

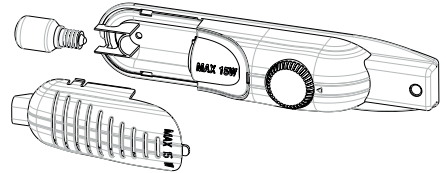
Para reemplazar la bombilla del compartimento frigorífico:

1. Desenchufe el aparato de la toma de corriente.
2. Presione los ganchos que encontrará a ambos lados de la parte superior de la cubierta, para así quitar dicha cubierta o tapa.
3. Reemplace la bombilla usada por otra cuya capacidad no sea superior a 15 W.
4. Vuelva a colocar la tapa y tras esperar 5 minutos, podrá volver a enchufar el aparato.

Cuando la iluminación y el termostato están situados en la parte posterior



Cuando la iluminación y el termostato están situados en la parte lateral



Sustituir las luces LED

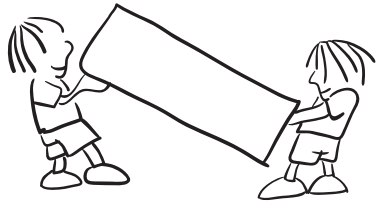
Si el frigorífico tiene luces LED, contacte con el servicio técnico, ya que deben ser sustituidas únicamente por el personal autorizado.

PARTE - 5. TRANSPORTE Y CAMBIO DE LA POSICIÓN DE INSTALACIÓN

Transporte y cambio de posición

- Puede guardar el embalaje original (si así lo quiere) para poder transportar el frigorífico a una nueva ubicación.
- Durante el transporte, deberá envolver firmemente el frigorífico con un embalaje robusto, y con cintas o cuerdas fuertes; así mismo, deberá seguir las correspondientes instrucciones contenidas en el embalaje.
- Extraiga las piezas móviles (estantes, accesorios, cajones de verduras, y demás), o bien sujételas firmemente en el frigorífico mediante cintas, para protegerlas frente a cualquier golpe durante su traslado o recolocación.

! Cargue el frigorífico en posición vertical.



Como cambiar la posición de la Puerta

- No es posible cambiar el sentido de apertura de las puertas a menos que las asas de estas no estén colocadas en la parte frontal.
- Solo será posible cambiar el sentido de apertura de aquellas puertas sin asas.
- Para esta operación le recomendamos contactar con el servicio técnico.

PARTE - 6. ANTES DE LLAMAR A SU SERVICIO POSTVENTA

Si el frigorífico no funciona correctamente puede ser debido a un problema menor, por lo que le recomendamos que antes de ponerse en contacto con un electricista, para ahorrar tiempo y dinero compruebe lo siguiente.

Qué hacer si el aparato no funciona:

Compruebe lo siguiente:

- Si hay corriente eléctrica,
- Si la palanca o interruptor eléctrico general está desconectado,
- Si el termostato está en la posición «*»,
- Si la tensión de la toma es la suficiente o correcta Para ello, enchufe en la misma toma otro aparato que usted sepa que funciona correctamente.

Qué hacer si el frigorífico enfrá poco:

Compruebe lo siguiente:

- Si el aparato está sobrecargado,
- Si el ajuste del termostato es la posición “1” (si así es, ajuste el termostato girando al valor adecuado).
- Si las puertas están bien cerradas,
- Si el condensador está sucio de polvo,
- Si hay suficiente espacio entre la trasera del frigorífico y la pared.

Si el frigorífico funciona con mucho ruido:

Ruidos Normales

Ruido del Compresor

- Es el ruido normal del motor. Indica que el compresor está funcionando correctamente.
- En el momento del arranque del compresor, puede funcionar con algo más de ruido durante un breve tiempo.

Ruido de burbujeos y salpicaduras:

- Este ruido lo provoca el paso del líquido refrigerante por las tuberías del circuito.
- Si el sonido fuera diferente, compruebe que:
 - El aparato esté bien nivelado.
 - No haya nada en contacto con la parte trasera.
 - No haya nada en el interior del aparato que vibre.

Si observa agua en la parte inferior del frigorífico,

Compruebe lo siguiente:

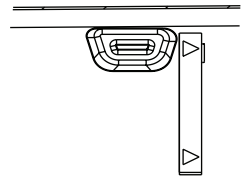
- El orificio de drenaje no esté obstruido. De ser así, utilice el tapón del drenaje para limpiar el orificio.

Recomendaciones:

- Si el aparato no va a usarse durante un mucho tiempo (por ejemplo durante las vacaciones de verano) desenchúfelo, límpielo y deje la puerta abierta para evitar que se forme moho y malos olores.
- Desenchufe el aparato de la corriente para detener totalmente su funcionamiento (para la limpieza y cuando se van a dejar las puertas abiertas).
- Si a pesar de seguir todas las instrucciones de este manual, siguiera teniendo problemas con el frigorífico, consulte con el servicio técnico más cercano.
- La vida útil del aparato la determina el ministerio de Industria. El plazo de disponibilidad de recambios para el mismo es de 10 años.

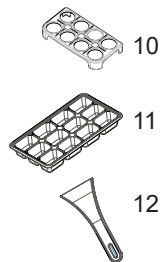
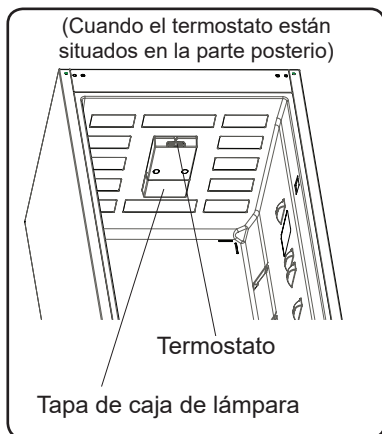
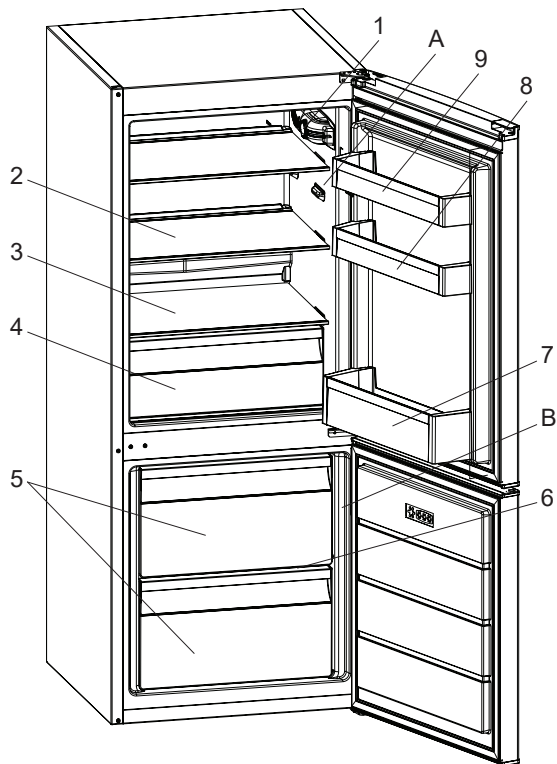
Consejos Para Ahorrar Energía

1. Coloque el aparato en una habitación fresca y bien ventilada, pero sin exponerlo directamente a la luz solar ni dejarlo cerca de fuentes de calor (como por ejemplo radiadores, fogones y otros). En el caso contrario, utilice una placa aislante.
2. Deje que los alimentos y las bebidas calientes se enfríen fuera del aparato.
3. Cuando vaya a descongelar cualquier alimento congelado, hágalo colocándolo en el compartimento del frigorífico. La baja temperatura de los alimentos congelados ayudará a enfriar el compartimento del refrigerador mientras se estén descongelando. Siendo así, el frigorífico trabajará menos para enfriarse y por lo tanto se ahorrará energía. Si los alimentos congelados se descongelasen fuera del frigorífico, se desperdiciaría esta energía.
4. Cuando coloque bebidas y bandejas con líquidos en el frigorífico deberá taponarlos. De lo contrario aumentaría la humedad en el interior del mismo. Por lo tanto el frigorífico alargará su tiempo de funcionamiento. Además, al taponar las bebidas y bandejas con líquidos se conservan sus aromas y sabores.
5. Al colocar los alimentos y bebidas, debe abrirse la puerta durante el menor tiempo posible.
6. Mantenga cerradas las tapas de cualquier compartimento que tenga una temperatura diferente dentro del frigorífico (como por ejemplo cajones para verduras, huevos o quesos, el refrigerador y otros)
7. La junta de goma de la puerta debe estar limpia y mantenerse flexible. Cámbiela si estuviera desgastada.
8. El consumo energético de su electrodoméstico está declarado sin cajones y completamente cargado en el compartimento del refrigerador.
9. Para ahorrar energía, no use el volumen entre el límite de carga y la puerta, a lo largo de la línea del límite de carga. La línea del límite de carga también se utiliza en la declaración del consumo energético



PARTE - 8.

LOS COMPONENTES DEL APARATO Y COMPARTIMENTOS



Esta presentación sólo tiene carácter informativo acerca de los componentes del aparato.
Los componentes pueden variar en función del modelo del aparato.

A) Compartimento frigorífico

B) Compartimento congelador

1. Caja del termostato (Cuando el termostato están situados en la parte lateral)
2. Bandeja del frigorífico
3. Tapa del compartimento para verduras (Vidrio inastillable**)
4. Compartimento para verduras
5. Cajones de congelador
6. Estante de vidrio *
7. Bandeja para botellas
8. Estante de puerta ajustable *
9. Estantes de la puerta
10. Bandeja porta huevos
11. Bandeja para el hielo
12. Espátula de plástico *

(*) en algunos modelos

Índice

ANTES DE UTILIZAR O APARELHO	38
Avisos gerais	38
Frigoríficos antigos e fora de uso	40
Instruções de segurança	40
Instalar e operar com o seu frigorífico	41
Antes de usar o seu frigorífico.....	42
AS VÁRIAS FUNÇÕES E POSSIBILIDADES.....	42
Ajuste do Termostato.....	42
Avisos de Definições de Temperatura	43
Acessórios	44
Bandeja de gelo.....	44
Garrafeira.....	44
Raspador de plástico.....	44
DISPOSIÇÃO DOS ALIMENTOS NO APARELHO	45
Compartimento do refrigerador	45
Compartimento do Congelador	45
LIMPEZA E MANUTENÇÃO	46
Descongelação.....	47
Mudança da lâmpada de iluminação interior.....	48
TRANSPORTE E REPOSICIONAMENTO	48
ANTES DE LIGAR PARA O SERVIÇO PÓS-VENDA.....	49
Dicas Para Poupar Energia	50
AS PARTES DO APARELHO E OS COMPARTIMENTOS	51

PARTE 1. ANTES DE UTILIZAR O APARELHO

Avisos gerais

CUIDADO: Manter as aberturas de ventilação, na caixa de protecção exterior do aparelho ou da estrutura interna, sem obstrução.

CUIDADO: Não usar dispositivos mecânicos ou outros meios para acelerar o processo de descongelamento, além dos recomendados pelo fabricante.

CUIDADO: Não usar aparelhos eléctricos dentro de compartimentos de armazenamento do aparelho, a menos que sejam do tipo recomendado pelo fabricante.

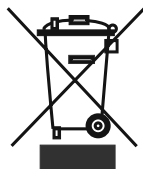
CUIDADO: Não danificar o circuito de refrigeração.

CUIDADO: Para evitar riscos devido a instabilidade do aparelho, este deve ser fixado em conformidade com as instruções.

- Se o seu aparelho usa R600a como refrigerante - pode encontrar esta informação na etiqueta do frigorífico - deve ter cuidado na expedição e montagem para impedir que os elementos de refrigeração do aparelho sejam danificados. Embora R600a seja um gás natural amigo do ambiente, como é explosivo, no caso de ocorrer uma fuga devido a avaria nos elementos de refrigeração afastar o frigorífico de chamas ou fontes de calor e ventilar durante alguns minutos o espaço onde o aparelho estiver localizado.
- Quando transportar e posicionar o frigorífico, não danificar o circuito de gás refrigerador.
- Não guardar substâncias explosivas como latas de aerossol com propulsor inflamável dentro deste aparelho.
- Este aparelho é destinado a ser usado em uso doméstico ou aplicações similares como;
 - zonas de cozinha em estabelecimentos comerciais, escritórios ou outros ambientes laborais

- casas rurais e pelos clientes em hotéis e outros ambientes de tipo residencial
- ambientes de tipo bed&breakfast;
- catering ou aplicações não comerciais similares
- Se a tomada não corresponder com a ficha do frigorífico, deve ser substituída pelo fabricante, o respectivo agente de serviço ou uma pessoa qualificada de modo a evitar riscos.
- Este aparelho não foi concebido para ser utilizado por pessoas (incluindo crianças) com capacidades físicas, sensoriais ou mentais reduzidas, ou com falta de experiência e conhecimentos, excepto se receberam supervisão ou instrução sobre a utilização do aparelho por uma pessoa responsável. As crianças devem ser vigiadas para assegurar que não brincam com o aparelho
- Uma ficha especial de ligação à terra foi ligada ao cabo de alimentação do seu frigorífico. Esta ficha deve ser usada com uma tomada especial ligada à terra de 16 amperes. Se não houver esta tomada em sua casa deverá ser instalada por um electricista autorizado.
- Este aparelho pode ser usado por crianças a partir de 8 anos de idade e por pessoas com capacidades físicas, sensoriais ou mentais reduzidas ou com falta de experiência e conhecimento se tiverem recebido supervisão ou instruções relativamente ao uso seguro do aparelho e desde que compreendam os riscos envolvidos. As crianças não devem brincar com o aparelho. A limpeza e manutenção feita pelo utilizador não devem ser realizadas por crianças sem a necessária supervisão.
- Se o cabo de alimentação estiver danificado, deve ser substituído pelo fabricante, o respectivo agente de serviço ou uma pessoa qualificada para prevenir danos.
- Este aparelho não se destina à utilização em altitudes superiores a 2000 m.

Frigoríficos antigos e fora de uso



Se o seu frigorífico usado tiver um bloqueio, quebrar ou remover o bloqueio antes de o eliminar, porque as crianças podem ficar presas no seu interior e causar um acidente.

Os frigoríficos e congeladores antigos têm materiais de isolamento e de refrigeração com CFC. Portanto, tenha o maior cuidado para não prejudicar o ambiente quando está a eliminar o frigorífico usado.

Solicitar à sua autoridade municipal acerca das disposições de REEE para fins de reutilização, reciclagem e recuperação.

Notes:

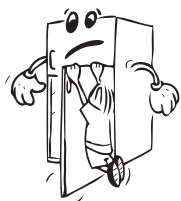
- Ler o manual de instruções com atenção antes de instalar e utilizar o frigorífico. A nossa empresa não é responsável por danos que decorram de uma utilização incorrecta.
- Seguir todas as instruções do aparelho e o manual de instruções, e guardar este manual num local seguro para solucionar os problemas que possam surgir no futuro.
- Este aparelho é produzido para ser usado nas habitações e só pode ser usado em habitação e para os fins especificados. Não é apropriado para uso comercial ou comum. Esta utilização implica a anulação da garantia e a nossa empresa não será responsável pelas perdas ocorridas.
- Este aparelho é produzido para uso em habitações e só adequado para refrigeração / conservação de alimentos. Não é adequado para uso comercial ou comum e/ou para armazenamento de substâncias excepto para alimentos. A nossa empresa não é responsável pelas perdas ocorridas em caso contrário.

Instruções de segurança

- Não utilizar vários recipientes ou cabos de extensão.
- Não efectuar a ligação em tomadas danificadas ou antigas.
- Não puxar, torcer ou danificar o fio.



- Este aparelho foi concebido para ser utilizado por adultos, não deixar as crianças brincar com o aparelho ou pendurar-se na porta.
- Não ligar ou desligar a tomada com as mãos molhadas de modo a evitar o risco de choque eléctrico!
- Não colocar garrafas de vidro ou bebidas em lata no congelador. As garrafas ou latas podem explodir.
- Não colocar material explosivo ou inflamável no frigorífico, para sua segurança. Colocar as bebidas com grande percentagem de álcool na vertical fechando bem as tampas no compartimento do frigorífico.
- Quando remover o gelo do congelador, não deve tocá-lo porque o gelo pode causar queimaduras e/ou cortes.



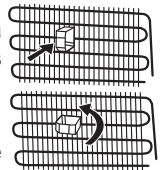
- Não tocar nos alimentos congelados com as mãos molhadas! Não consumir gelados e cubos de gelo imediatamente depois de os ter retirado do congelador!
- Não congelar novamente alimentos congelados depois destes terem sido descongelados. Este processo pode causar problemas de saúde como intoxicação alimentar.
- Não tapar a estrutura ou a parte de cima do frigorífico com tecidos. Isto afecta o desempenho do seu frigorífico.
- Fixar os acessórios do frigorífico durante o transporte para evitar danos nos mesmos.



Instalar e operar com o seu frigorífico

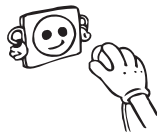
Antes de usar o frigorífico, deve prestar atenção aos seguintes aspectos:

- A tensão de funcionamento do frigorífico é 220-240 V a 50Hz.
- O cabo de alimentação do frigorífico tem uma tomada terra. Esta tomada deve ser utilizada com uma ficha ligada à terra com um fusível de 16 amperes no mínimo. Se não tiver uma ficha em conformidade, contactar um electricista qualificado de modo a obter a mesma.
- Declinamos qualquer responsabilidade por danos decorrentes de uma utilização com uma ficha não ligada à terra.
- Colocar o frigorífico num local não sujeito à luz solar directa.
- O frigorífico deve estar afastado pelo menos 50cm de fogões, fornos a gás e aquecedores e pelo menos a 5 cm de fornos eléctricos.
- Não deve ser utilizado no exterior ou deixado à chuva.
- Quando o frigorífico é colocado ao lado de um congelador, deve haver um espaço de 2 cm entre os aparelhos para impedir a humidade na superfície externa.
- Não colocar nada em cima do frigorífico, e instalar o frigorífico num local adequado de modo que que fiquem livres na parte de cima pelo menos 15cm.
- Os pés ajustáveis na frente devem estar numa altura apropriada para que o frigorífico funcione de forma estável e correcta. Pode ajustar os pés rodando-os no sentido dos ponteiros do relógio (ou no sentido inverso). Isto deve ser realizado antes de colocar os alimentos no frigorífico.
- Antes de utilizar o frigorífico, lavar todas as partes com água quente e uma colher de café de bicarbonato de sódio, enxaguar com água e secar. Colocar todos os elementos depois da limpeza.
- Instalar o plástico de ajustamento da distância (a parte com palhetas pretas situada na parte traseira) rodando 90° conforme mostrado na imagem de modo que o condensador não toque na parede.



Antes de usar o seu frigorífico

- Quando utilizar o frigorífico pela primeira vez ou depois do transporte, manter o frigorífico na posição vertical durante 3 horas e depois ligá-lo de modo a obter um funcionamento eficiente. De outro modo, pode danificar o compressor.
- Pode existir um cheiro quando ligar o frigorífico pela primeira vez; este cheiro desaparece quando o frigorífico começa a arrefecer.



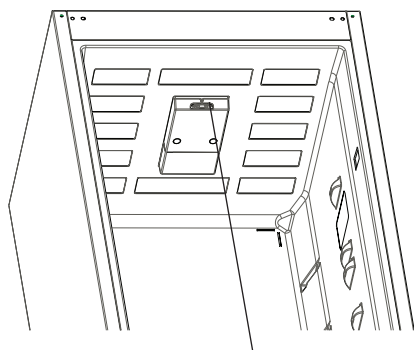
PARTE 2.

AS VÁRIAS FUNÇÕES E POSSIBILIDADES

Ajuste do Termostato

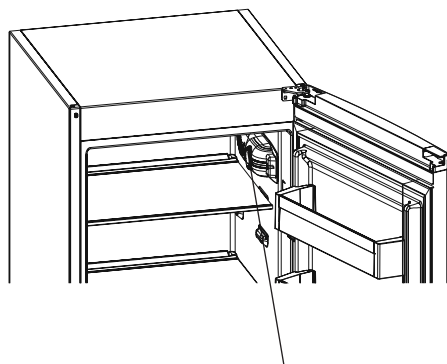
(Em alguns modelos)

Quando a iluminação e o termostato estão posicionados na parte superior



Controlo do termostato

Quando a iluminação e o termostato estão posicionados na parte lateral



Controlo do termostato

O Termostato do Frigorífico regula automaticamente a temperatura interior dos compartimentos. Rodando o botão desde a posição “1” até “5”, temperaturas mais frias serão conseguidas.

Nota importante: Não rodar o botão para além da posição 1, fará com que o aparelho pare de funcionar.

Termostato do frigorífico e do congelador

- 1 – 2 : Para armazenar alimentos por períodos de tempo relativamente curtos. Pode colocar o botão entre mínimo e médio.
- 3 – 4 : Para armazenar alimentos por longos períodos de tempo no compartimento do frigorífico, pode colocar o botão em posição média.
- 5 : Para congelar alimentos frescos. O aparelho trabalhará mais tempo. Assim, depois de conseguir o frio desejado, coloque o botão na posição anterior.

Avisos de Definições de Temperatura

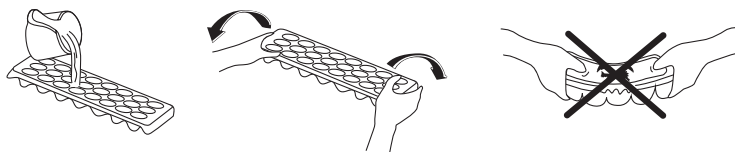
- A temperatura ambiente, a temperatura dos alimentos frescos guardados e com que frequência a porta é aberta, afectam a temperatura no compartimento do frigorífico. Se necessário alterar a definição da temperatura.
- Não é recomendado que o frigorífico esteja a funcionar em ambientes mais frios que 10° C em termos de eficiência.
- A definição do termostato deve ser feita tendo em consideração a frequência dos alimentos frescos e a frequência da abertura e fecho da porta, a quantidade de alimentos guardados no frigorífico e o ambiente no qual o frigorífico está localizado.
- O seu frigorífico deve funcionar durante 24 horas de acordo com a temperatura ambiente sem interrupção depois de ter sido ligado e de ter arrefecido completamente. Não abrir a porta do frigorífico muitas vezes e não colocar uma grande quantidade de alimentos durante este período.
- Deve ser aplicada a função de 5 minutos de espera para evitar danos no compressor do seu frigorífico, quando desliga e depois liga de novo ou quando ocorrer uma falha de energia. O seu frigorífico começará a funcionar normalmente após 5 minutos.
- O frigorífico foi concebido para funcionar numa temperatura ambiente definida nos padrões, de acordo com a classe climática estipulada no rótulo informativo. Não é recomendado que o seu frigorífico funcione em ambientes que estejam fora dos intervalos de temperatura em termos de eficiência de arrefecimento.
- Este equipamento está destinado a ser usado a uma temperatura ambiente entre 16°C – 38°C.

Classe climática	Temperatura ambiente °C
T	Entre 16 e 43 (°C)
ST	Entre 16 e 38 (°C)
N	Entre 16 e 32 (°C)
SN	Entre 10 e 32 (°C)

Acessórios

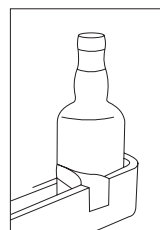
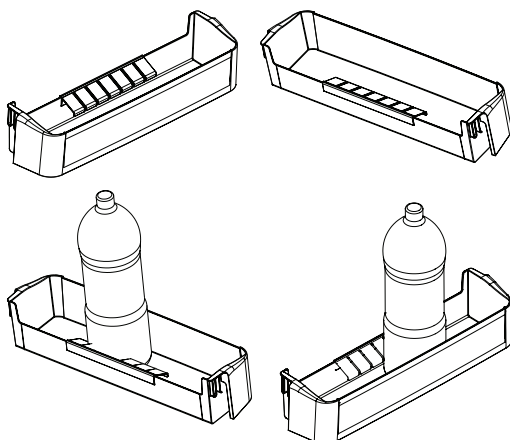
Bandeja de gelo

- Encha a Cuvette gelo de água e coloque no compartimento do congelador.
- Depois da água se transformar completamente em gelo, pode retorcer a bandeja como se mostra na Fig. para obter os cubos de gelo.



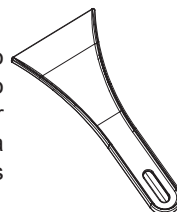
Garrafeira

Para que as garrafas não deslizem nem caiam pode usar a garrafeira. Também pode prevenir o ruído proveniente das garrafas quando abre ou fecha a porta.



Raspador de plástico

Após um certo tempo, o gelo acumular-se-á em certas zonas do compartimento de congelação. O gelo, acumulado no compartimento de congelação, deve ser removido periodicamente. Utilize o raspador de plástico fornecido. Não usar objectos de metal aguçados para esta operação. Podem perfurar o circuito do congelador e causar danos irreparáveis no aparelho.



A apresentação é apenas para informação acerca das partes do aparelho. As partes podem variar de acordo com o modelo do aparelho.

Compartimento do refrigerador

- Para reduzir a humidade e conseqüente aumento de gelo, nunca coloque, no congelador, líquidos sem estarem hermeticamente fechados. O gelo tende a concentrar-se nas partes mais frias do evaporador, o que requer uma descongelação mais frequente.
- Nunca coloque comida quente no refrigerador. A comida deve arrefecer à temperatura ambiente e deve ser colocada no refrigerador de forma a permitir a circulação do ar.
- Nada deverá tocar a parede da parte de trás porque pode produzir gelo e a embalagem pode ficar colada à parede. Não abra o refrigerador frequentemente.
- Organize a carne e o peixe limpo (introduzidos em embalagens de plástico) os quais irá usar em 1-2 dias, no compartimento do fundo (o qual está em cima da parte encurvada) uma vez que esta é a secção mais fria e assegurará as melhores condições armazenamento.
- Pode colocar as frutas e os legumes na parte encurvada sem acondicionar.

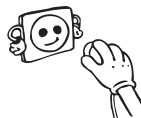
Compartimento do Congelador

- O uso do congelador é para armazenar alimentos por períodos longos de tempo e para fazer cubos de gelo.
- Para congelar alimentos frescos, assegure-se que de acordo com a superfície do congelador, os alimentos estão em contacto com a superfície congeladora.
- Não coloque alimentos frescos ao lado de alimentos congelados, pois estes podem descongelar.
- Para congelar alimentos frescos (p.e. carne, peixe e carne picada), proceda à divisão para o consumo diário.
- Depois de descongelar o aparelho, substitua os alimentos e consuma os que retirou num período curto de tempo.
- Nunca coloque alimentos quentes no congelador. é desaconselhável para os alimentos congelados.
- Para congelar alimentos congelados industrialmente siga as instruções do fabricante, no caso de não constar as instruções, não deve congelar os alimentos por um período superior a 3 meses após a compra do produto.
- Quando comprar comidas congeladas assegure-se que estas foram congeladas a uma temperatura satisfatória e que a embalagem está intacta.
- Os alimentos congelados devem ser transportados em recipientes apropriados para manter a qualidade da comida e devem ser colocados no congelador o mais rápido possível.
- Se uma embalagem de comida congelada mostra sinais de humidade e apresenta uma dilatação anormal, é provável que tivesse sido armazenada a uma temperatura inadequada e que os conteúdos estão deteriorados.
- A vida de congelação dos alimentos depende da temperatura do local, configuração do termóstato, frequência de abertura da porta, do tipo de comida e do tempo de transporte do produto desde a loja até casa. Siga sempre as instruções da embalagem e nunca exceda o máximo de tempo indicado.

PARTE 4.

LIMPEZA E MANUTENÇÃO

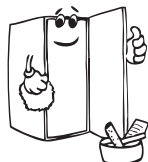
- **Desligar o frigorífico antes de iniciar a limpeza.**



- Não limpar o frigorífico deitando-lhe água em cima.



- Pode lavar o interior e o exterior com um pano macio ou esponja usando água quente e com detergente.

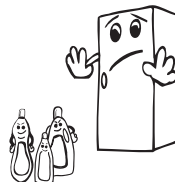


- Remover as partes individualmente e limpar com água e sabão. Não lavar na máquina de lavar roupa.

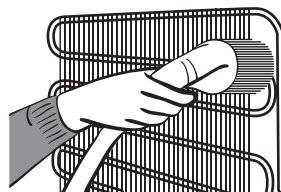


- Não utilizar produtos inflamáveis, explosivos ou corrosivos como diluentes, gás, ácido para efectuar a limpeza.

- Deve limpar o condensador com a vassoura pelo menos uma vez por ano para garantir a poupança de energia e o aumento da produtividade.



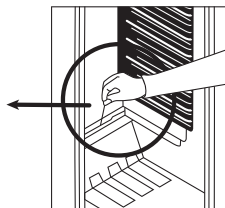
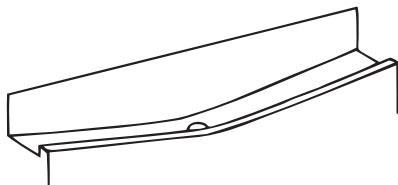
Garantir que o frigorífico está desligado quando está a realizar a limpeza.



Descongelação

Compartmento do refrigerador

- A descongelação acontece automaticamente no refrigerador durante operação; a água descongelada é conduzida para a bandeja de evaporação, e evapora-se automaticamente.
- A bandeja de evaporação e o conduto de evacuação para a água descongelada, devem ser limpos periodicamente com o tampão - filtro para impedir que a água se acumule no fundo do frigorífico e saia para fora.
- Também pode verter $\frac{1}{2}$ copo da água para limpar por dentro o conduto de evacuação.

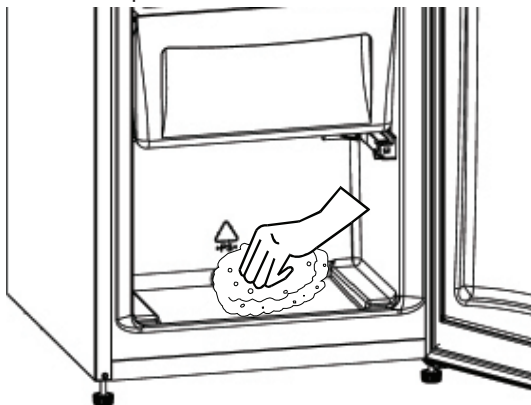


Compartmento do Congelador

O gelo acumulado no congelador deve ser removido periodicamente. (Use a pá fornecida)
O compartimento do congelador deve ser limpo do mesmo modo que o compartimento de refrigerador, pelo menos duas vezes ao ano.

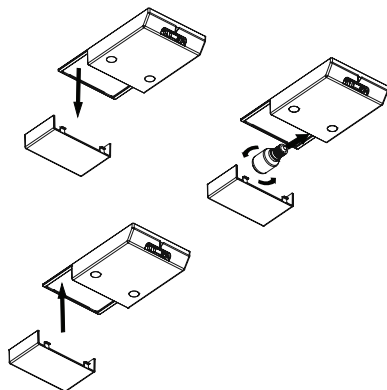
Para isto;

- Na véspera de descongelar, fixe o termóstato no “5” posicione para congelar os alimentos completamente.
- Durante a descongelação, os alimentos devem ser embrulhados em várias camadas de papel e devem manter-se num lugar fresco. A inevitável elevação de temperatura, encurtará a vida de armazenamento dos alimentos. lembre-se de utilizar estes alimentos dentro de um período relativamente curto de tempo.
- Fixe o termóstato na posição “•” ou desligue o aparelho; deixe a porta completamente aberta até à total descongelação.
- Para apressar o processo de descongelação, coloque uma ou mais bacias de água morna no compartimento do congelador.
- Seque o interior do aparelho cuidadosamente e fixe o termóstato na posição MAX.

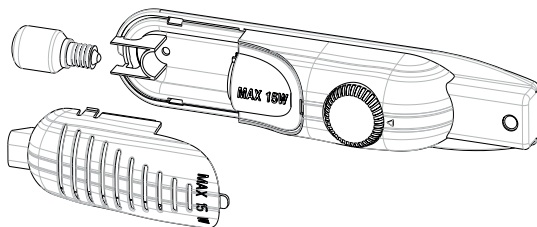


Mudança da lâmpada de iluminação interior (Em alguns modelos)

Quando a iluminação e o termostato estão posicionados na parte superior



Quando a iluminação e o termostato estão posicionados na parte lateral



Ao substituir a lâmpada de iluminação interior;

1. Desligue da corrente eléctrica
2. Aperte os ganchos nos lados na parte posterior da caixa e remova-a
3. Mude a lâmpada incandescente por uma nova de não mais de 15 W.
4. Coloque o protector e depois de esperar 5 minutos, tape a unidade.

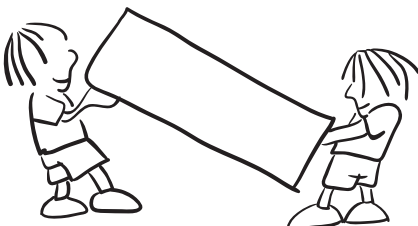
Substituição da lâmpada LED

Se o seu frigorífico tem uma lâmpada LED, contacte o serviço de apoio pois esta apenas deve ser substituída por pessoal técnico autorizado.

PARTE 5. TRANSPORTE E REPOSICIONAMENTO

- A embalagem original e a esponja devem ser guardadas para novo transporte, se necessário (opcional).
- Deve fixar o seu frigorífico com uma embalagem grossa, cintas ou cordas resistentes e seguir as instruções para transporte na embalagem quando for para transportar de novo.
- Retirar as peças móveis (prateleiras, acessórios, caixas de vegetais, etc.) ou fixá-las no interior do frigorífico em relação a choques usando cintas durante o reposicionamento e o transporte.

Transportar o frigorífico na posição vertical.



Reposicionar a porta

- Não é possível alterar a direcção da abertura da porta do frigorífico, se o manípulo da porta no seu frigorífico estiver instalado na superfície frontal da porta.
- É possível alterar a direcção de abertura da porta em modelos sem manípulo.
- Se a direcção de abertura da porta do seu frigorífico puder ser alterada, deve contactar o Serviço de Assistência autorizado mais próximo para a respectiva alteração.

PARTE 6. ANTES DE LIGAR PARA O SERVIÇO PÓS-VENDA

Se seu frigorífico não está a trabalhar adequadamente, pode ser um problema secundário, então confira o seguinte, antes de chamar um electricista para economizar tempo e dinheiro.

O que fazer, se o frigorífico não funciona;

Verifique que;

- Não há corrente eléctrica,
- O interruptor geral da casa não está desligado,
- O termóstato está na posição “•”,
- A tomada não é suficiente. Para conferir isto, ligue noutro aparelho e comprove que funciona.

Isto é o que deve fazer se o aparelho não funciona correctamente;

Verifique que;

- Não sobrecarregou o aparelho,
- As portas estão perfeitamente fechadas,
- Não há sujidade no condensador ,
- Há bastante espaço entra as paredes traseiras e laterais.

Se há barulho;

- O gás refrigerante que circula no circuito de refrigerador pode fazer um ruído (um leve borbulhar) até mesmo quando o compressor não está a funcionar. Não se preocupe, isto é bastante normal. Se estes sons são diferentes, verifique que;
- o aparelho está bem nivelado,
- Nada está a tocar na parte traseira,
- Os objectos sobre o aparelho vibram.

Se há água na parte mais baixa do frigorífico ;

Verifique que ;

- O a saída de água não está entupido (Use o tampão -filtro para limpar o conduto)

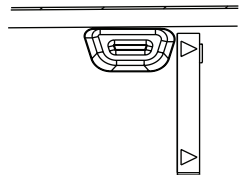
Recomendações

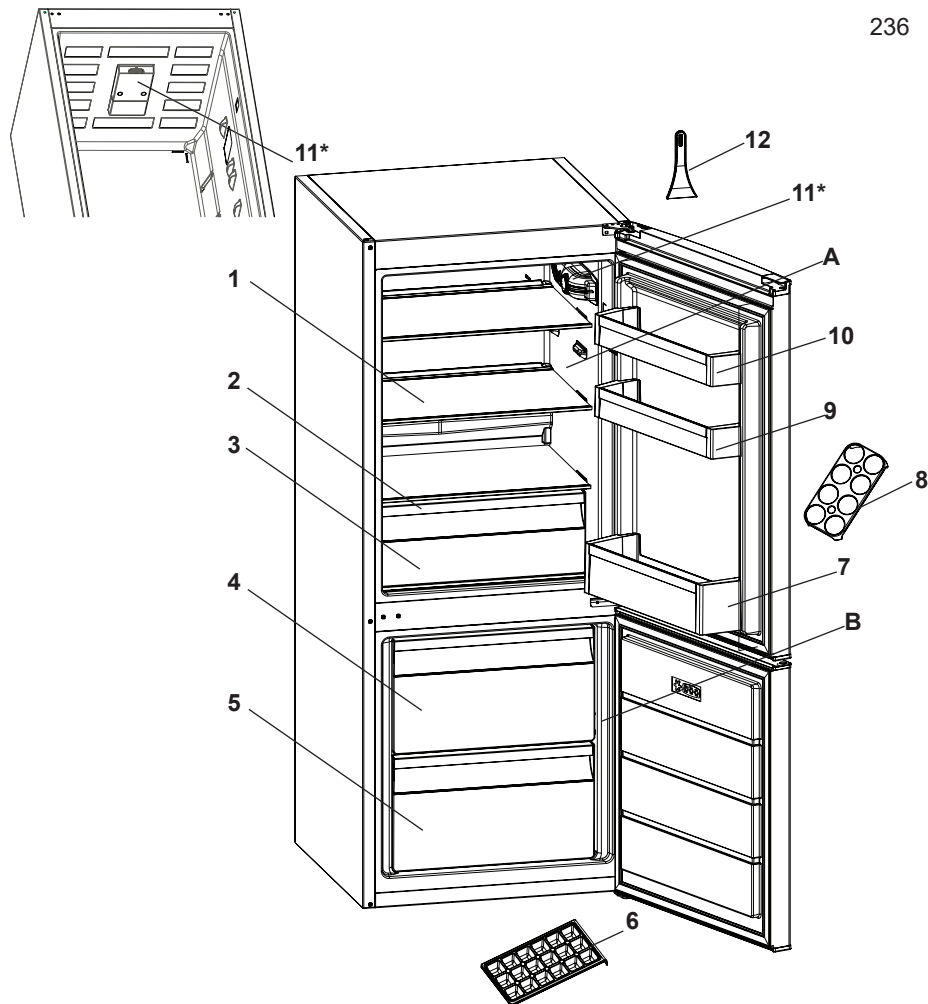
- Para aumentar espaço e melhorar a aparência, a «secção de esfriamento» deste aparelho é posicionada dentro da parede na parte de trás do compartimento do refrigerador. Quando o aparelho está a funcionar, esta parede está coberta com gelo ou gotas de água ,dependendo se o compressor está a funcionar ou não. Não se preocupe. Isto é bastante normal. o aparelho só deve ser descongelado se apresentar uma camada de gelo excessivamente grossa na parede.

- Se o aparelho não é usado durante um tempo longo (por exemplo durante as férias de Verão posicione o comando do termóstato na posição “•” Descongele e limpe o refrigerador e deixe a porta aberta para prevenir a formação de cheiros desagradáveis.
- Para parar completamente o aparelho, desligue da ficha principal(para limpar)

Dicas Para Poupar Energia

1. Instalar o aparelho num espaço frio e bem ventilado, mas não sob a acção da luz solar directa e não próximo de fontes de calor (radiador, fogão..etc.) Caso contrário deve usar uma placa de isolamento.
2. Permitir que os alimentos e as bebidas quentes arrefeçam no exterior do aparelho.
3. Quando descongelar alimentos congelados, colocar os mesmos no compartimento do refrigerador. A temperatura baixa dos alimentos congelados ajudará ao arrefecimento do compartimento do frigorífico quando estão a descongelar. Portanto origina poupança de energia. Se os alimentos congelados forem tirados para fora, isso originará gasto de energia.
4. Quando colocar bebidas e alimentos líquidos estes devem ser tapados. Caso contrário a humidade aumenta no aparelho. Portanto o tempo de duração torna-se mais longo. Também o facto de tapar bebidas e alimentos líquidos ajuda a manter o aroma e o sabor.
5. Quando colocar alimentos e bebidas, abrir a porta do aparelho o menor tempo possível.
6. Manter as tampas fechadas em todos os diferentes compartimentos no aparelho (vegetais, frios, etc...).
7. A junta da porta deve estar limpa e flexível. Substituir as juntas se estiverem gastas.
8. O consumo de energia do seu eletrodoméstico é declarado sem gavetas e totalmente carregado no compartimento do congelador.
9. Para poupar energia, não utilize volume entre o limite de carga e a porta, ao longo da linha do limite de carga. A linha do limite de carga também é utilizada na declaração do consumo de energia





A apresentação é apenas para informação acerca das partes do aparelho. As partes podem variar de acordo com o modelo do aparelho.

- A) Compartimento do frigorífico
- B) Compartimento do congelador
- 1) Prateleiras do frigorífico
- 2) Tampa das caixas
- 3) Caixas
- 4) Gaveta superior do congelador
- 5) Gaveta de baixo do congelador

- 6) Bandeja de gelo
- 7) Prateleira de garrafas
- 8) Suporte de ovo
- 9) Prateleira ajustável da porta
- 10) Prateleira superior da porta
- 11) Caixa do termóstato*
- 12) Raspador de plástico

* Em alguns modelos

